

## UP Series GC12-TOP DEEP CYCLE SOLAR



### Electrical Characteristics

Nominal Voltage (V)	12
C100 Rated Capacity (100h)	260 Ah
C5 Rated Capacity (5h)	195 Ah
Reserve Capacity @ 25A	480 min
Reserve Capacity @ 75A	133 min

Operational temperature range: -20°C to + 55°C (always keep the battery charged at least 60% at temperatures below 0°C)

### Charging Instructions at 25°C

Daily Charge (V)	14.80 ± 0.05
Float Charge (V)	13.20
Equalize Charge (V)	15.40 ± 0.05

- \* Do not install or charge batteries in non-ventilated premises.
- \* The charging is of special importance because both over and under charging will severely limit the life of the batteries. If the batteries will stay for an extended period without being used please ensure they are routinely checked, cleaned and fully charged before being stored.

### Mechanical Characteristics

	SI Units	US Units
Length	395 mm	15.55 inches
Width	178 mm	6.98 inches
Height	379 mm	14.92 inches
Weight	53.00 kg	116.45 lb

BCI Group Size	GC12
Cell Layout	0
Base Hold-Down	B0
Terminal Type	DT



Terminal height:  
18.5 mm - 0.73 inches

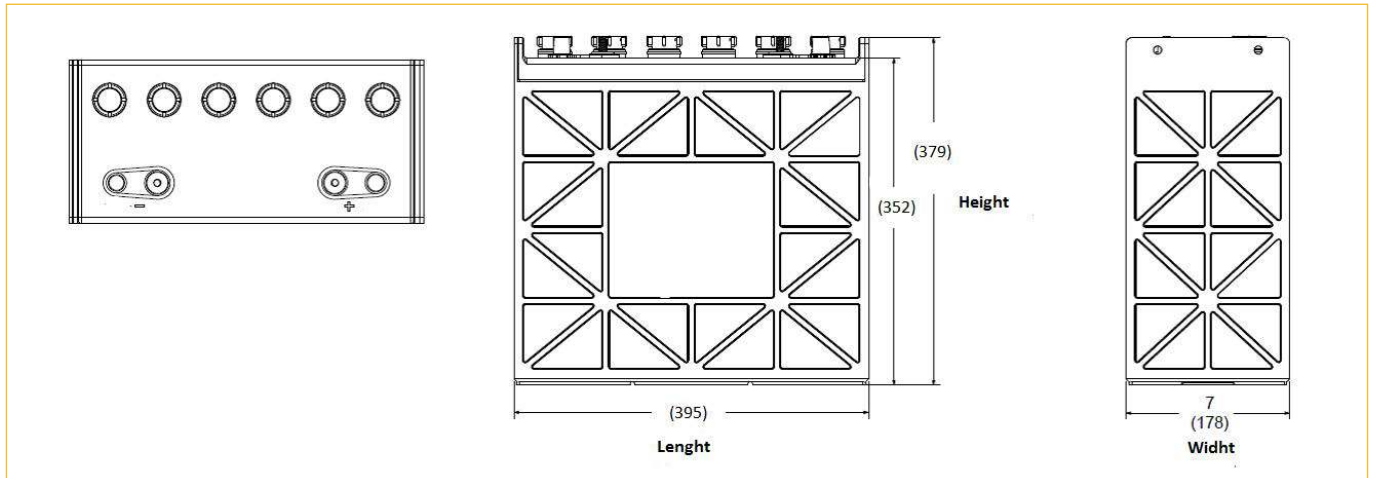
Bolt size: 5/16

### Battery Temperature Adjustment

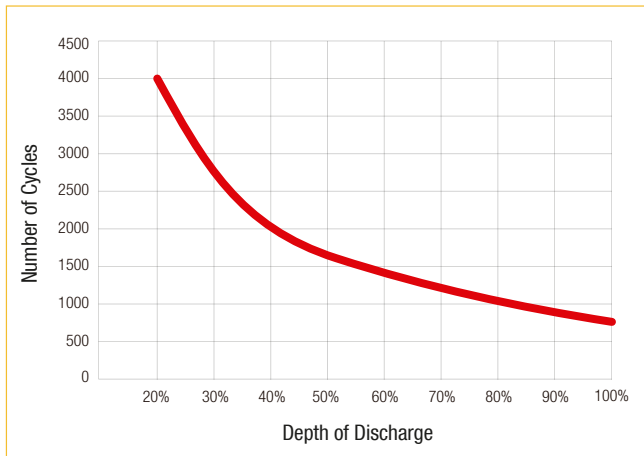
- Reduce the voltage by 0.028V per cell for every 10°C above 25°C, increase the voltage by 0.028V per cell for every 10°C below 25°C.
- Deep cycle batteries need to be equalized periodically.
- Actively used batteries should be equalized at least twice per year.



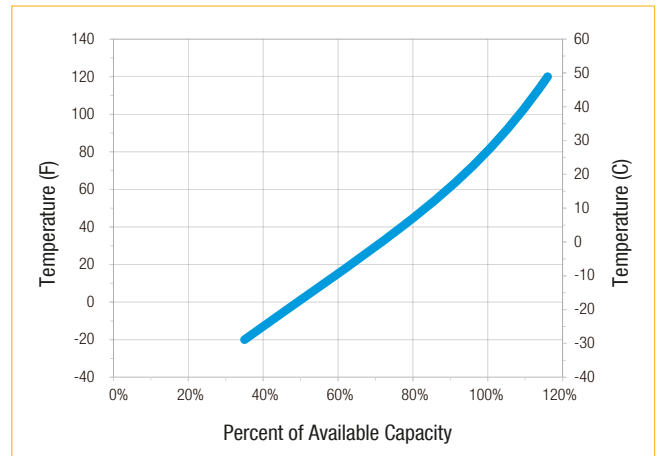
## Battery Dimensions



## Typical Cycle Life in a Stationary Application



## Percent Capacity Vs. Temperature



## Performance

